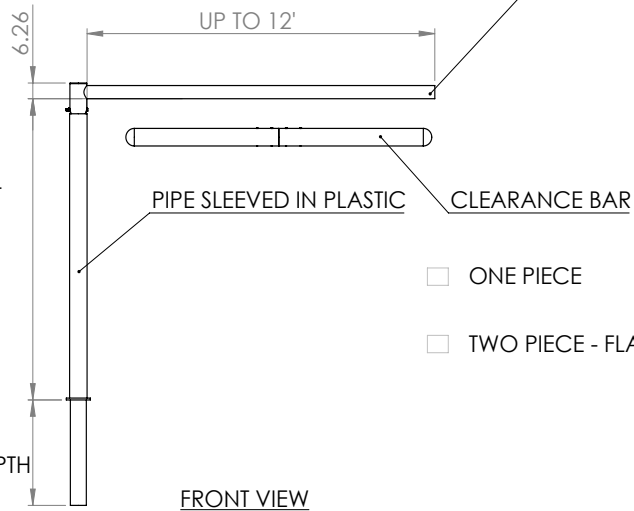




TOP VIEW

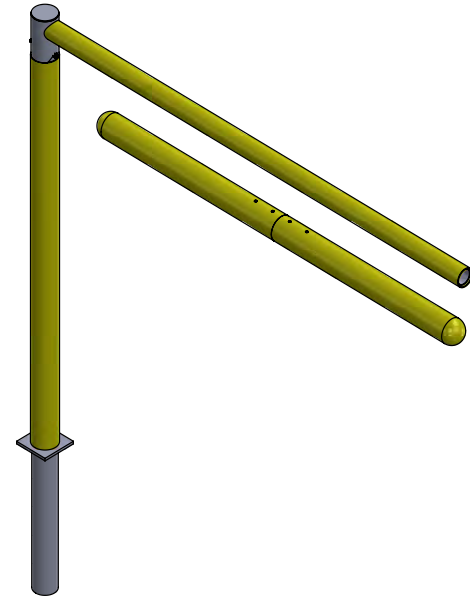
WRITE IN MAX HEIGHT  
(MAX 12')

CHAIN NOT INCLUDED



FRONT VIEW

SIDE VIEW



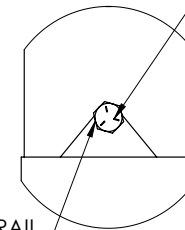
WRITE IN MAX HEIGHT  
(MAX 15')

WRITE IN MAX CORE DEPTH  
(TYPICALLY DEPTH  
OF FROSTLINE)

- ONE PIECE
- TWO PIECE - FLAT END CAP

CHOOSE OPTION

- BREAKAWAY
- FIXED



DETAIL A  
SCALE 1 : 5

NOTE: SHIPPING PRICE INCREASES IF  
TOTAL HEIGHT, INCLUDING  
CORE, IS GREATER THAN 11'



CUSTOMER SIGNATURE

NOTES:

UNLESS OTHERWISE SPECIFIED: DIMENSIONS ARE IN INCHES SURFACE FINISH: TOLERANCES: LINEAR: ANGULAR:		FINISH: <b>TOP RAIL GALVANIZED</b>	DEBURR AND BREAK SHARP EDGES	DO NOT SCALE DRAWING	REVISION
DRAWN	NAME	SIGNATURE	DATE	TITLE: <b>HEAVY DUTY CLEARANCE BAR SYSTEM CORED</b>	
CHK'D				DWG NO. <b>CLBHD-ASSY-01</b>	
APP'VD				SCALE: 1:50	
MFG				SHEET 1 OF 2	
Q.A				A3	
MATERIAL: <b>STEEL AND PLASTIC</b>					
WEIGHT:					